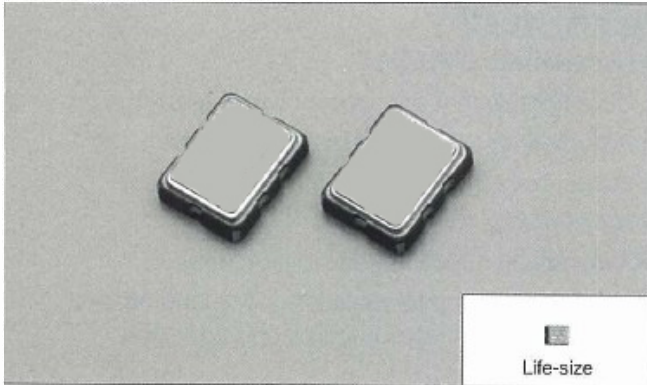


CSX-325T

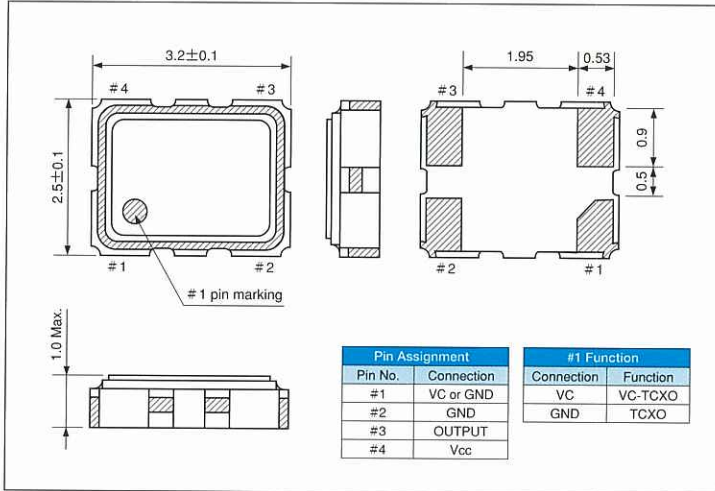
2000pcs/reel



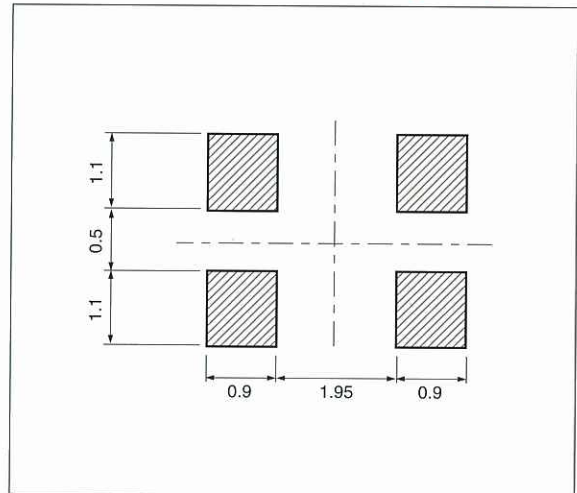
FEATURES

- High-density SMD type.
Ultra-light weight and ultra-miniature size.
- With the function of frequency and voltage control.
- Available in 1.8V ultralow voltage drive.
- Low current consumption.
- Automatic mounting and reflowable type.
- Most appropriate for cellular phone, GPS and other equipment with telecommunication devices.

DIMENSION [mm]



SOLDER PAD LAYOUT [mm]



STANDARD SPECIFICATIONS

Item	Model	CSX-325T			
Nominal Frequency	f ₀	13.0MHz , 16.0MHz	19.2MHz	23.104MHz , 26.0MHz , 32.0MHz , 33.6MHz , 38.4MHz	52.0MHz
Frequency Stability	Δf/f ₀	±2.5ppm / (−30°C ~ +75°C)			
Operating Temperature Range	T _{OPR}	−30°C ~ +75°C			
Storage Temperature Range	T _{STR}	−40°C ~ +85°C			
Supply Voltage	V _{dd}	1.8V ~ 3.0V			
Frequency adjustment range	Δf _{VC}	±8ppm Min. / (V _{cont} =V _{dd} /2±1.0V)			
Current consumption	I _{dd}	1.5mA Max		2.0mA Max	2.5mA Max
Output Voltage	V _{OUT}	0.8Vp-p Min. (10kΩ/10pF)			
Start-up time	T _{ST}	5.0 msec Max.		3.5 msec Max.	
Aging (first year)	F _A	±1.0ppm / year Max.			